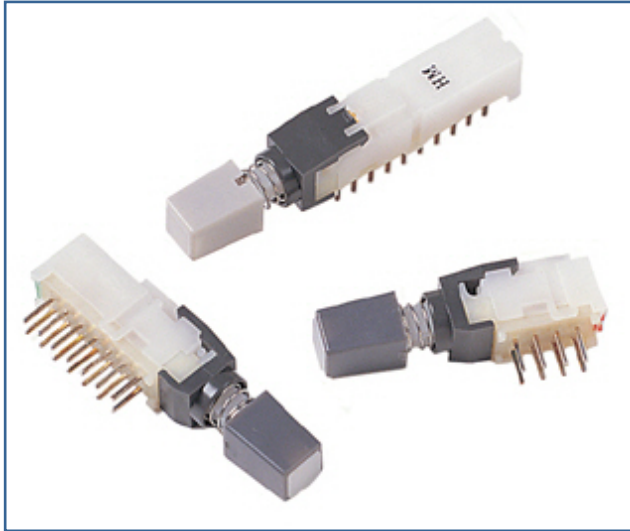


## SA Series: Miniature Illuminated Pushbutton Switches



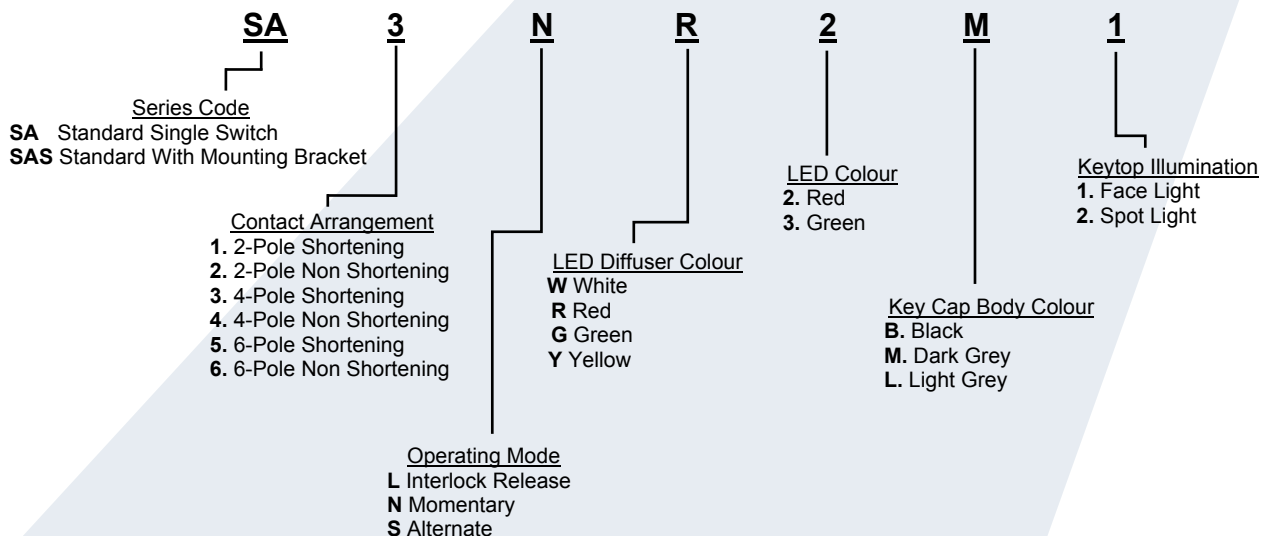
### Features:

- High brilliance die-bonded LED incorporated keytop
- Square, Round and Rectangular keytops
- 2,4 or 6 pole Versions available
- PCB Mounting - 2.5mm pitch
- Momentary, alternate or interlocking actions
- Shorting and non-shorting contacts
- Interlocking for banks of up to 14 switches

### Description

The SA series is a very high performance LED illuminated pushbutton switch, uniquely designed and constructed for low or medium current PCB mounted applications. The switch consists of an LED built into the keytop unit and a switch body using gold over silver-clad material contacts. The SA series is ideally suited for instrumentation, medical, professional audio broadcasting and video applications.

### Ordering Information



### TECHNICAL SPECIFICATION

#### Electrical

Rating - 30V DC 100mA  
 Contact Resistance - 20mΩ Max  
 Insulation Resistance - 100MΩ Min@100V DC  
 Dielectric Resistance - 500V AC for 1 Minute

#### Mechanical

Operating Life - 50,000 Operations  
 Operating Temp - -10°C to +70°C  
 Operating Force - 2 POLE 2.8N +/- 1.0N  
                           4 POLE 3.0N +/- 1.0N  
                           6 POLE 3.5N +/- 1.0N

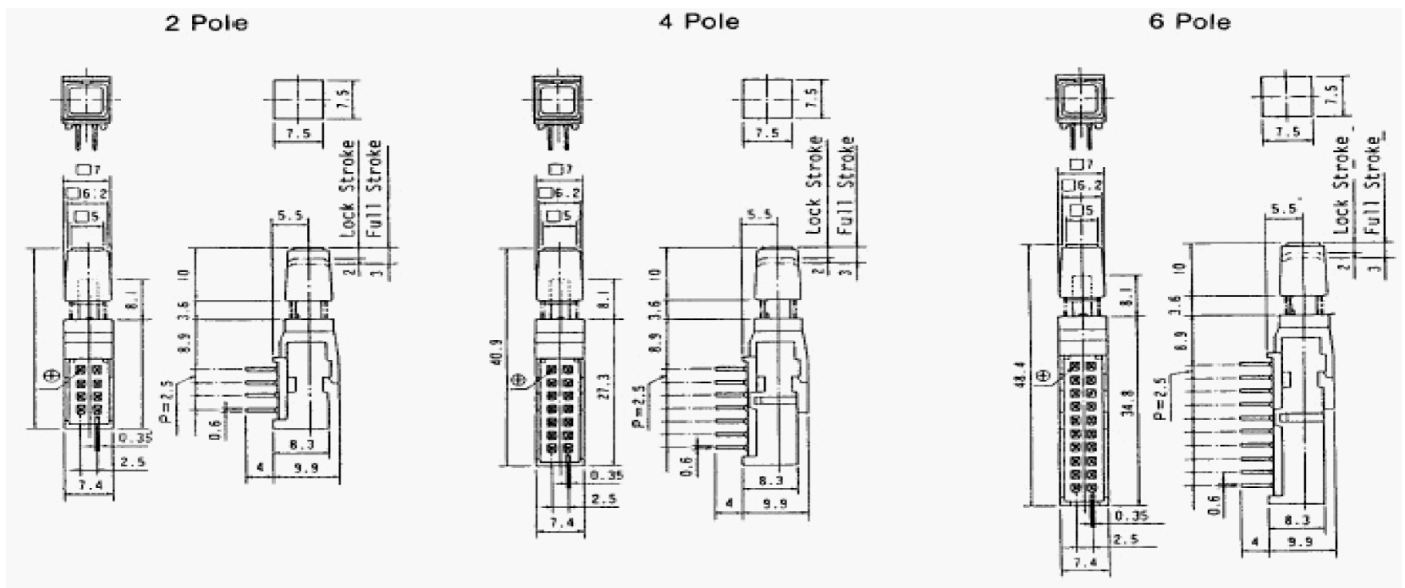
#### Electrical Performance - LED

	Forward Current	Forward Current
Red	20mA	2.2V
Green	20mA	2.2V

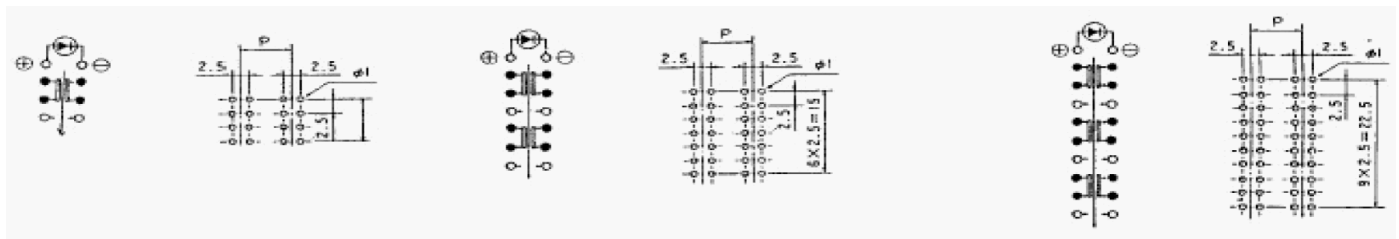
# SA Series: Miniature Illuminated Pushbutton Switches

## Dimensions

Basic Form SA



Circuit & PCB Mounting Hole Information



SAS Single Switch with Bracket

Key Cap Dimensions & Panel Cut-outs

