

TP2053-M: Tri-Colour Illuminated Pushbutton Switch



Features -

- System programmable for either red, green or yellow illumination
- 13mm square multi-legend button
- Soft touch momentary pushbutton action
- PCB mounting
- 19mm overall height
- Low power consumption
- Positive “feel” 2mm travel

TECHNICAL SPECIFICATION

Electrical

Rating - 12V DC 20mA
Contact Resistance - 300mΩ Max
Insulation Resistance - 100mΩ min @ 100V DC
Dielectric Strength - 100V AC for 1minute

Mechanical

Operating Life - 1 million operations
Operating Temp - -20°C - +70°C
Operating Force - 1.2N +/- 0.5N

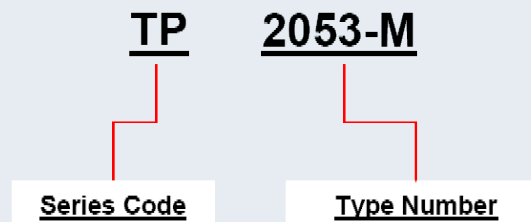
Electrical Performance - LED

Peak Reverse Voltage - 4 VDC
Forward Current - 20mA Max
IF - Red = 12.0mA
Green = 17.0mA
VF - Red = 1.9

Description -

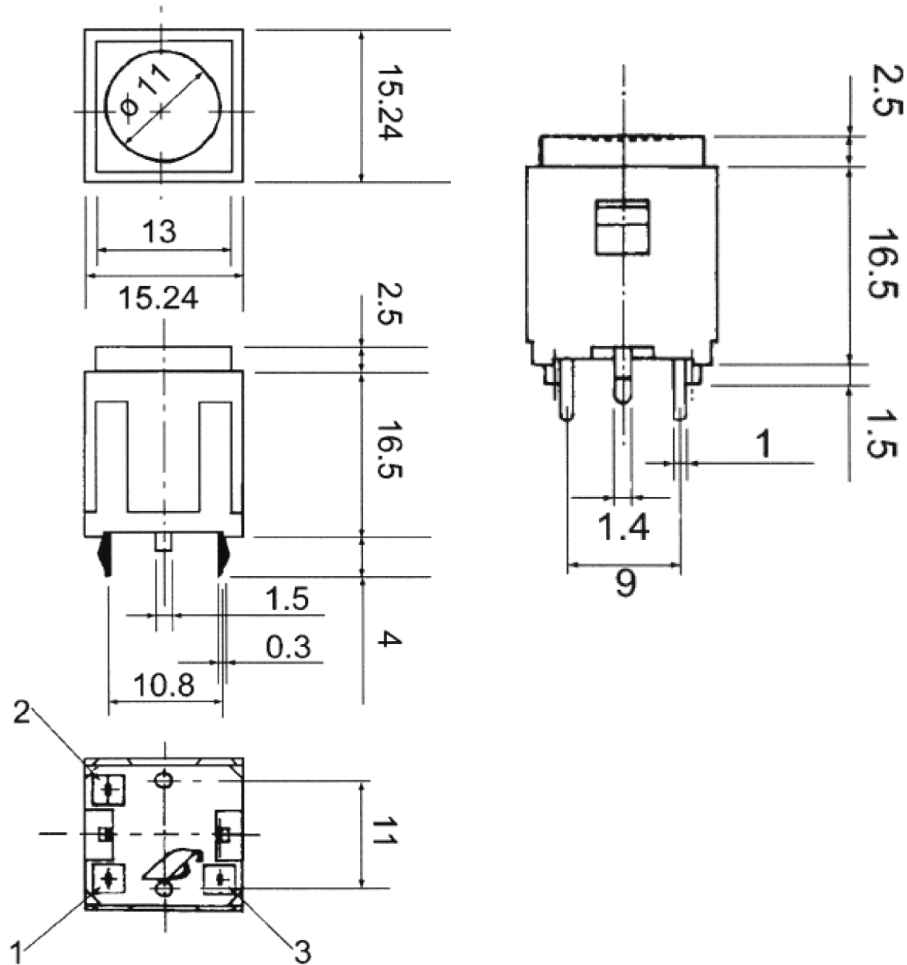
The TP2053-M is a soft-touch single pole momentary switch able to display one of 3 colours from its internal high brightness LEDs. The switch can illuminate a legend inserted on its translucent diffuser with Red, Green or Yellow backlighting and is particularly suitable for use in broadcast, instrumentation and medical control panel applications.

Ordering Information

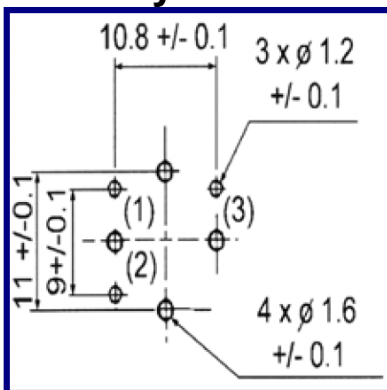


E.G TP-2053-M = Illuminated on/off Pushbutton
Switch able to display 3 colours

DIMENSIONS



PCB Layout



Circuit Diagram

