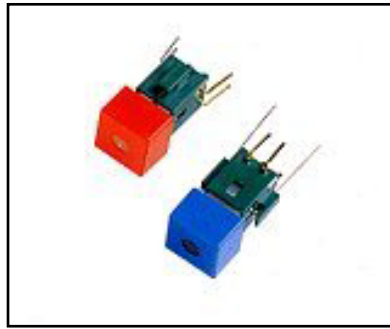


Miniature Illuminated Push Button Switches: TP2151



Features -

- Miniature - 8mm square buttons
- Momentary switch action
- Optional high brilliance LED illumination
- 3 LED colour options
- 6 Optional button colours - with & without LED Lenses
- Rubber contacts provide “soft” switching
- Standard 2.54mm terminal pitch

The TP2151 series of momentary action miniature push button switches is designed for applications that demand a small size and high packing densities. The switches can be LED illuminated and are available in red, yellow and green options. Buttons are available in 6 different colours - with and without LED lenses. Soft click switching is provided through rubber contacts and a simplified operating mechanism ensures high reliability in use.

TECHNICAL SPECIFICATION

Electrical:

Rating - 20mA 12V DC
 Initial Contact Resistance - 1K Max
 Dielectric Strength - 250V AC 1 minute
 Insulation Resistance - 100M 100V DC

Soldering -

270°C +/- 5°C max 3 sec

Mechanical -

Electrical life - 100,000 operations
 Operations Force - 90gf +/- 30gf
 Operating temperature range - -20°C ~ +70°C
 Storage temperature range - -40°C ~ +80°C

Ordering information:

TP

Series Code

2151

Type Number

-R

Code	LED Colour	If	Vf Typical	Peak Reverse Voltage	Max Forward Current
R	Red	10mA	2.1V	4V	30mA
G	Green	20mA	2.1V	4V	50mA
Y	Yellow	20mA	2.1V	4V	50mA
N	No LED	-	-	-	-

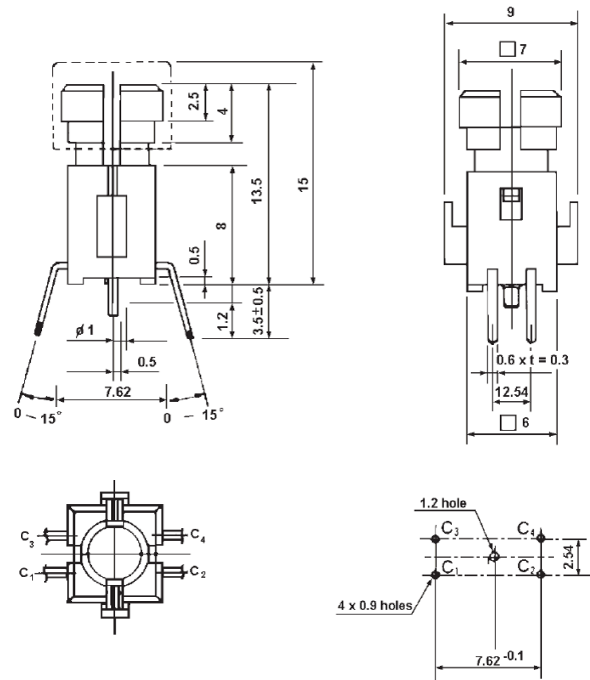
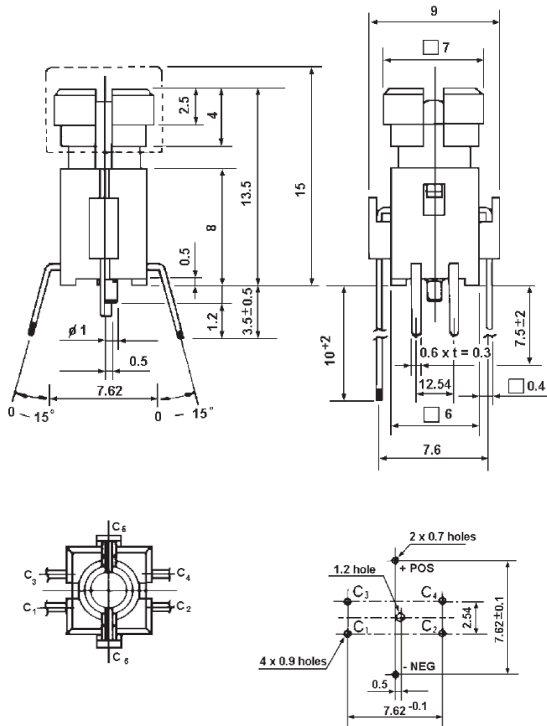
Eg. TP-2151-G with 2F101 = Switch with green LED and red button with clear

Miniature Illuminated Push Button Switches: TP2151

Dimensions:

TP2151 - R, G & B

TP2151 - N



Optional Buttons		Code	Colour
2F Button - with LED lens 		2F101	Red
		2F201	Ivory
		2F401	Blue
		2F951	Grey
		2F911	Black
		2F991	White
		3F Button - no lens 	
3F101	Red		
3F201	Ivory		
3F401	Blue		
3F951	Grey		
3F911	Black		
3F991	White		

All units of measurement are in mm. Tolerance + / - 0.3mm unless shown.